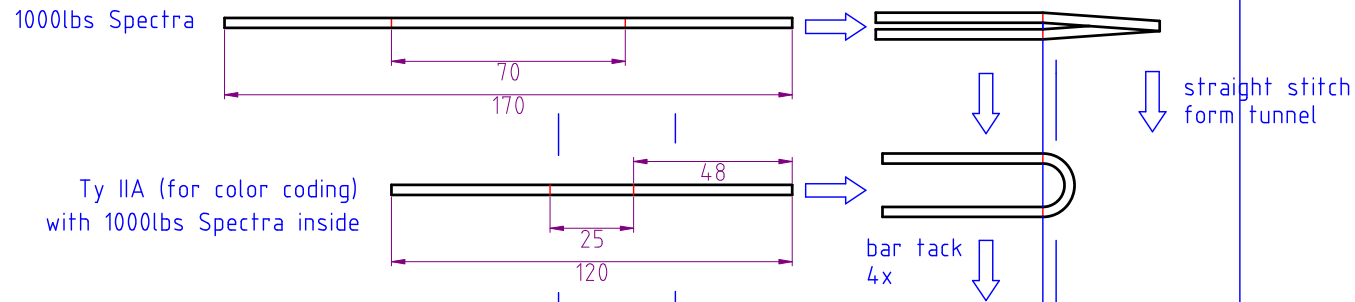
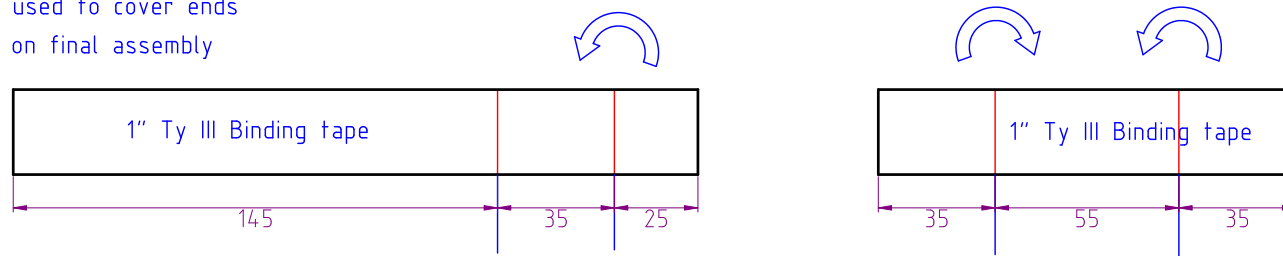


used to cover ends
on final assembly

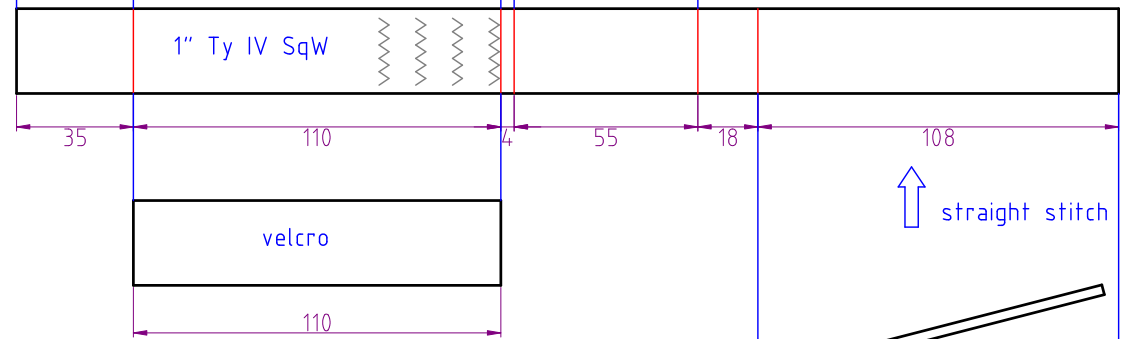


WTB Brake Line Release Toggles
Copyright (C) 2016 Thomas Hirsch

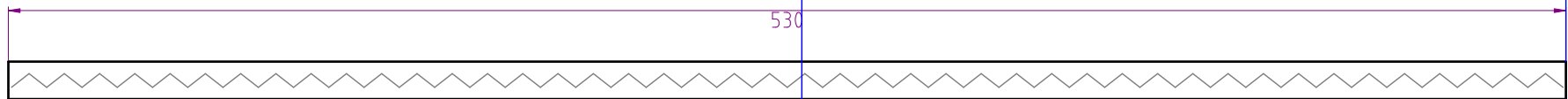
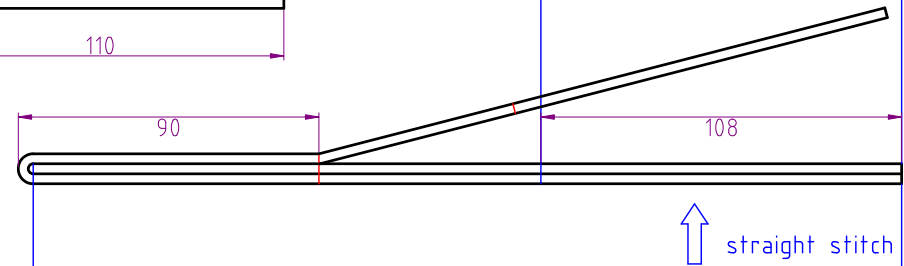
This information is free; you can redistribute it and/or modify it under the terms of the GNU General Public License version 3 as published by the Free Software Foundation.

This work is distributed in the hope that it will be useful, but WITHOUT ANY WARRANTY; without even the implied warranty of MERCHANTABILITY or FITNESS FOR A PARTICULAR PURPOSE. See the GNU General Public License for more details.

You should have received a copy of the GNU General Public License along with this work; if not, write to the Free Software Foundation, Inc., 51 Franklin Street, Fifth Floor, Boston, MA 02110-1301, USA.



folded 1" Ty IV SqW parts
straight stitched
3 passes on nose portion



1" Ty IV SqW folded in half
and zig zagged

